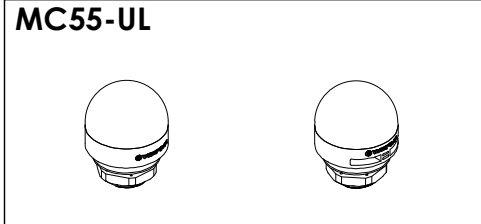
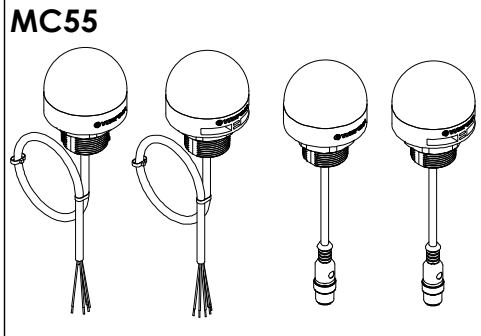
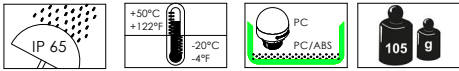


310.240.001  
150000000045\_AJ

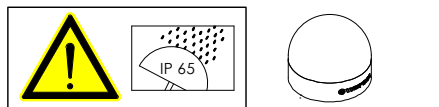
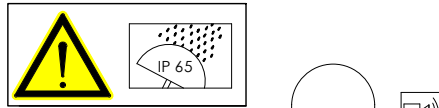
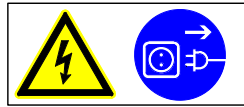
**WERMA** 240  
Multicolour Beacon



WERMA Signaltechnik GmbH + Co.KG  
D-78604 Rietheim-Weiheim  
Telefon + 49 (0) 7424/9557-0  
Telefax + 49 (0) 7424/9557-44  
info@werma.com  
www.werma.com



- (D) Anschluss ausschließlich durch ausgebildete Elektro-Fachkräfte.
- (GB) Electrical connection is to be made by trained electrical specialists only .
- (F) Le branchement doit uniquement être effectué par des professionnels.
- (I) Il collegamento deve essere eseguito solo da elettricisti specializzati.
- (E) La conexión sólo debe ser realizada por electricistas debidamente formados.
- (PT) A ligação deve ser feita exclusivamente por profissional elétrico especializado.
- (NL) De aansluiting mag enkel gebeuren door erkende vakmensen.
- (CZ) Připojení smí provádět pouze kvalifikovaný personál.
- (PL) Podłączenie wyłącznie przez specjalistów-elektryków.
- (FI) Liittäminen kuuluu ainoastaan koulutettujen sähköalan ammattilaisten tehtäviin.
- (RU) Подключение проводов только специалистом-электриком.
- (TR) Bağlantı sadece eğitimli elektrik teknisyenleri tarafından yapılmalıdır.
- (CN) 布线需由专业电工执行

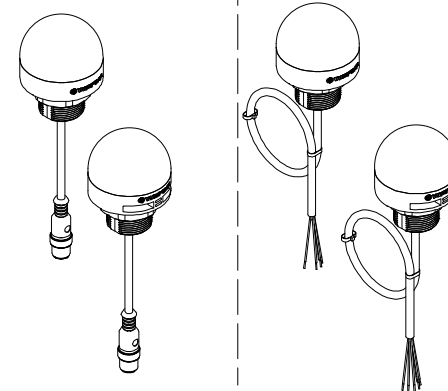


240 320 50	The power-source has to be an isolated secondary source limited by maximum 0.5A and maximum 32 VDC
240 340 50	
240 420 55	
240 440 55	



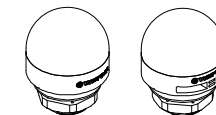
LED Permanent/ Blinking RGB	240 110 50	10-30V=	I ≤ 60 mA I <sub>0</sub> < 700 mA
LED Permanent RGB	240 120 50 240 320 50	10-30V=	
LED Permanent/ Blinking RGB	240 130 50	10-30V=	
LED Permanent RGB	240 140 50 240 132 50 240 340 50	10-30V=	
LED Permanent RGY	240 210 55 240 220 55 240 420 55	24V=	I <sub>0</sub> ≤ 45 mA I < 150 mA
LED Permanent RGY	240 230 55 240 240 55 240 440 55	24V=	

240 120 50, 240 132 50      240 110 50, 240 130 50  
240 140 50, 240 220 55      240 210 55, 240 230 55  
240 240 55



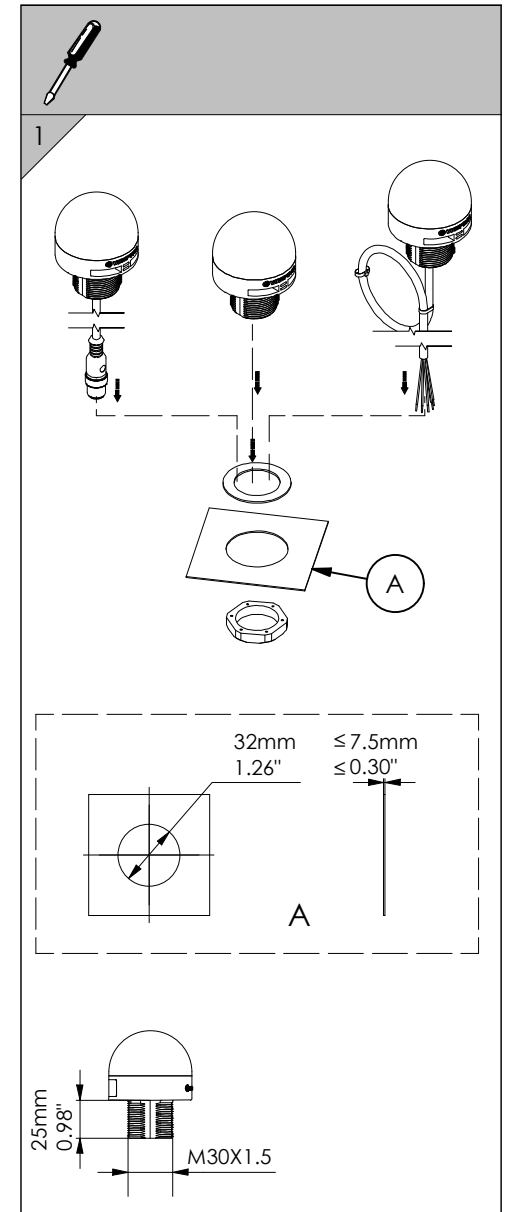
Cable length: 10cm/3.94"      Cable length: 145cm/57.09"

240 320 50, 240 340 50  
240 420 55, 240 440 55



M12 Connector

Model number	Limited voltage	Limited current
240 320 50	10-30VDC	120mA
240 340 50	10-30VDC	130mA
240 420 55	24VDC	40mA
240 440 55	24VDC	65mA



2	2a - 240 110 50, 240 130 50 2b - 240 210 55, 240 230 55 2c - 240 120 50, 240 132 50 240 140 50, 240 320 50 240 340 50 2d - 240 220 55, 240 240 55 240 420 55, 240 440 55					
2a						
Wire						
WH COM	RD	GN	BU	YE	GY*	Colour
(±)	(±)V	NC	NC	$\rightarrow$ Bling- king *		RD
	NC	(±)V	NC			GN
	(±)V	(±)V	NC			BU
	NC	NC	(±)V			WH
	(±)V	(±)V	(±)V			VT
	(±)V	NC	(±)V			TQ
* 240 130 50 NC = not connected						
2b						
Wire						
WH Com	RD	GN	YE	GY*	Colour	
(±)	(±)V	NC	NC	$\rightarrow$ Bling- king *		RD
	NC	(±)V	NC			GN
	NC	NC	(±)V			YE
* 240 230 55 NC = not connected						

2c					
2c					
Pin					
1	2	3 COM	4	5*	Colour
NC	NC	(±)	(±)V	$\rightarrow$ Bling- king *	RD
(±)V	NC		NC		GN
(±)V	NC		(±)V		YE
NC	(±)V		NC		BU
(±)V	(±)V		(±)V		WH
NC	(±)V		(±)V		VT
(±)V	(±)V	NC	TQ		
* 240 140 50 NC = not connected					
2d					
Pin					
1	2	3 Com	4	5	Colour
NC	NC	(±)	(±)V	$\rightarrow$ Bling- king *	RD
(±)V	NC		NC		GN
NC	(±)V		(±)V		YE
(±)V	(±)V		(±)V		
NC	(±)V		(±)V		
(±)V	(±)V		(±)V		
* 240 240 55 NC = not connected					

150000000045\_AJ  
310.240.001



Marking of Hazardous Substances  
有害物质标识

WERMA article number 伟马电器物料号:  
240 230 55, 240 240 55, 240 130 50, 240 140 50, 240 340 50, 240 440 55

According to the SJ/T 11364-2014 Standard of the People's Republic of China for the Electronic Industry  
本表格依据中华人民共和国 SJ/T 11364-2014 的规定编制

Component Name 部件名称	Lead 铅 (Pb)	Mercury 汞 (Hg)	Cadmium 镉 (Cd)	Hexavalent Chromium 六价铬 (Cr (VI))	Polybrominated diphenyl ethers 多溴二苯醚 (PBDE)	Hazardous Substances 有害物质
Plastic parts 塑料件	○	○	○	○	○	
Label 标签	○	○	○	○	○	
PCB and its electronics components 印制电路板及其电子元器件	X*	○	○	○	○	
Buzzer 蜂鸣器	X*	○	○	○	○	
M12 plug and cable M12 插头和电缆	○	○	○	○	○	
Cable tie 扎带	○	○	○	○	○	

This table was developed according to the provisions of SJ/T 11364-2014  
本表格依据 SJ/T 11364-2014 的规定编制

O: The content of such hazardous substance in all homogeneous materials of such component is below the limit required by GB/T 26572-2011.  
表示该有害物质在该部件所有均质材料中的含量均在 GB/T 26572-2011 规定的限量要求以下。

X: The content of such hazardous substance in all homogeneous materials of such component is beyond the limit required by GB/T 26572-2011.  
表示该有害物质在该部件的某一均质材料中的含量超出 GB/T 26572-2011 规定的限量要求。

Enterprises may further explain the technical reasons for ticking "X" in the table above according to their actual situation herein.  
企业可在此处，根据实际情形对上表中打“X”的技术原因进行进一步说明。

\*Exemptions according to EU RoHS 2011/65 Annex III and IV of the scope may be applied  
欧盟 RoHS 2011/65 附件 III 和 IV 的豁免可能适用

■ Restricted substances beyond limit required by GB/T 26572-2011  
限制物质的含量超出 GB/T 26572-2011 规定的限制

EFUP (Environment Friendly Use Period) 环保使用期限:

Riefheim 里泰姆 09.06.2021  
i.V. 蔡秋 D. Kentsy  
Place and date of issue 签发地和日期



Marking of Hazardous Substances  
有害物质标识

WERMA article number 伟马电器物料号:  
240 210 55, 240 220 55, 240 110 50, 240 120 50, 240 320 50, 240 420 55

According to the SJ/T 11364-2014 Standard of the People's Republic of China for the Electronic Industry  
本表格依据中华人民共和国 SJ/T 11364-2014 的规定编制

Component Name 部件名称	Lead 铅 (Pb)	Mercury 汞 (Hg)	Cadmium 镉 (Cd)	Hexavalent Chromium 六价铬 (Cr (VI))	Polybrominated diphenyl ethers 多溴二苯醚 (PBDE)	Hazardous Substances 有害物质
Plastic parts 塑料件	○	○	○	○	○	
Label 标签	○	○	○	○	○	
PCB and its electronics components 印制电路板及其电子元器件	X*	○	○	○	○	
M12 plug and cable M12 插头和电缆	○	○	○	○	○	
Cable tie 扎带	○	○	○	○	○	

This table was developed according to the provisions of SJ/T 11364-2014  
本表格依据 SJ/T 11364-2014 的规定编制

O: The content of such hazardous substance in all homogeneous materials of such component is below the limit required by GB/T 26572-2011.  
表示该有害物质在该部件所有均质材料中的含量均在 GB/T 26572-2011 规定的限量要求以下。

X: The content of such hazardous substance in all homogeneous materials of such component is beyond the limit required by GB/T 26572-2011.  
表示该有害物质在该部件的某一均质材料中的含量超出 GB/T 26572-2011 规定的限量要求。

Enterprises may further explain the technical reasons for ticking "X" in the table above according to their actual situation herein.  
企业可在此处，根据实际情形对上表中打“X”的技术原因进行进一步说明。

\*Exemptions according to EU RoHS 2011/65 Annex III and IV of the scope may be applied  
欧盟 RoHS 2011/65 附件 III 和 IV 的豁免可能适用

■ Restricted substances beyond limit required by GB/T 26572-2011  
限制物质的含量超出 GB/T 26572-2011 规定的限制

EFUP (Environment Friendly Use Period) 环保使用期限:

Riefheim 里泰姆 09.06.2021  
i.V. 蔡秋 D. Kentsy  
Place and date of issue 签发地和日期